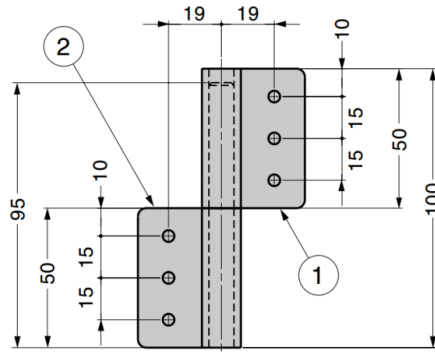
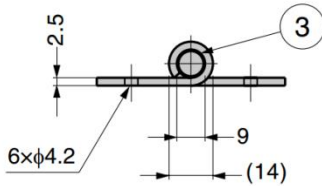


## GLSX-100 Stainless Steel Lift-Off Hinge

### Features

- Handed: specific left and right hand mounting



**GLSX-100R**  
(GLSX-100L is symmetrical)



**GLSX-100R**

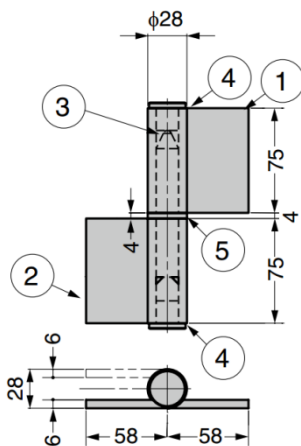
No.	Part Name	Material	Finish
①	Body A	Stainless Steel (SUS304)	Polished
②	Body B		
③	Shaft		-

Part No.	Type	Load Capacity (per pair)	
<b>GLSX-100L</b>	Left-handed	294 N	30 kg
<b>GLSX-100R</b>	Right-handed		

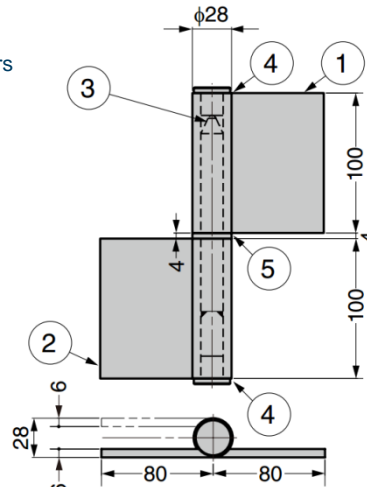
## GHG-LSH Weld On Stainless Steel Lift-Off Hinge

### Features

- Uses 6 mm thick stainless steel for heavy duty doors
- Oil-less ring provides smooth movement
- Head caps provide good aesthetic appearance
- Handed: specific left and right hand mounting
- Passed 200,000 life cycle test



**GHG-LSH-154R**



**GHG-LSH-204R**



**GHG-LSH-154R**

No.	Part Name	Material	Finish
①	Door Side Leaf	Stainless Steel (SUS304)	Satin
②	Frame Side Leaf		
③	Pin		Plain
④	Finial		
⑤	Ring		

Part No.	Type	Load Capacity (per pair)	
<b>GHG-LSH-154L</b>	Left-handed	1,961 N	200 kg
<b>GHG-LSH-154R</b>	Right-handed		
<b>GHG-LSH-204L</b>	Left-handed	2,177 N	222 kg
<b>GHG-LSH-204R</b>	Right-handed		